

**HANGCHA GROUP CO., LTD.**

Factory site: 666 Xiangfu Road,  
Hangzhou, Zhejiang, China (311305)

Tel: +86-571-88926735 88926755  
Fax: +86-571-88926789 88132890

[sales@hcforklift.com](mailto:sales@hcforklift.com) [www.hcforklift.com](http://www.hcforklift.com)

HANGCHA GROUP CO., LTD. reserves the right to make any changes without notice concerning colors, equipment, or specifications detailed in this brochure, or to discontinue individual models. The colors of trucks, delivered may differ slightly from those in brochures.



Follow us on  
Facebook



Follow us on  
YouTube



Follow us on  
WeChat



Download "Hangcha  
Forklift" App



ISO45001:2018



ISO14001:2015



ISO9001:2015



HANGCHA trucks conform  
to the European Safety  
Requirements.

AUTHORIZED DEALER



Pro



# XC SERIES

4-W ELECTRIC FORKLIFT TRUCK  
WITH LITHIUM POWER

With capacity of 1,500 to 3,800kg



# TOTAL COMFORT

The dashboard in the driver's cab is placed on the right side of the instrument rack, accessible and easy to operate.

Comfortable acceleration control and regenerative braking function can effectively reduce the driver's fatigue.

With the standard multi-way valve manipulator handle, the manipulation force is **reduced by 20%**, and the standard lifting sensor and the new type of load-sensing multi-way valve allow comfortable operation and better inching performance.



Optional fingertip integrated operating system and rocker handle operating system, the combined operating armrest integrates the emergency cut-off, horn and switches, etc., is electrically controlled through the CAN bus and is highly reliable.



The whole truck, continuing the advantages of XC series specialized platform, has a large operating space more than **50% larger** than that of the traditional electric truck.

The wide-view mast with optimized design is unlikely to obstruct the operator's line of sight. The enlarged opening size of the fork carriage enables a wider view.

## SOFT LANDING

The intelligent sensing enables soft landing. When the fork is 100 - 60mm away from the ground, the descending will automatically slow down, so that the goods and pallet will not hit the ground and the goods and ground can be protected effectively.

100-60mm



The color-screen instruments are designed to have graphic interfaces featuring intuitive reading and friendly human-computer interfaces.



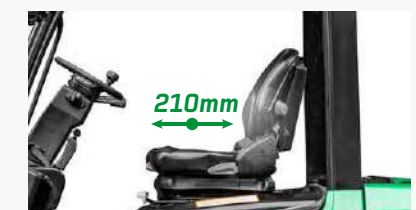
Owing to the low center of gravity and good stability, the driver feels comfortable during turning.



The whole truck boasts silence, no pollution, energy saving and other advantages, and meets the environmental protection requirements.



The ergonomically designed tilt-adjustable small-diameter steering wheel makes the driver feel good. The seat can be adjusted back and forth by 210mm. The operator can choose the best driving position.



## MAIN ACCESSORIES

- The main electrical components such as the motor controller, contactor, power plug, emergency cut-off switch, dashboard, accelerator, are all products of well-known foreign brands.
- The emergency cut-off switch equipped for the standard configuration complies with European safety regulations.
- Electronic and hydraulic overload protection devices.



The truck has passed CE certification.

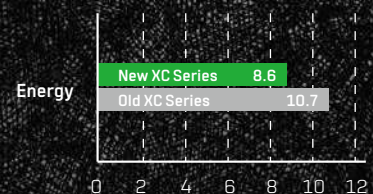




# ADVANCEMENT

The high-frequency MOSFET integrated controller ensures smooth and accurate driving and lifting control, and has excellent speed regulation performance, good performance of electronic control matching the motor, functions of regenerative braking, reverse braking and anti-sliding on ramps, etc. and high safety and reliability.

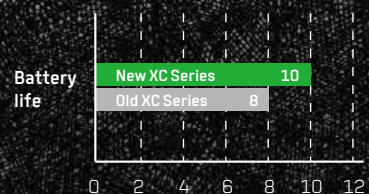
## Energy consumption comparison



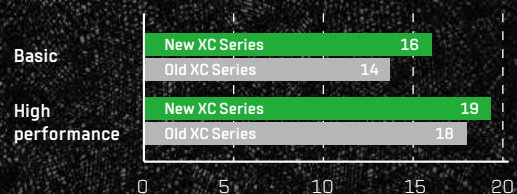
With the high-power oil pump motor and the matching handle operation, the system has high efficiency, complete protection functions, built-in speed and temperature sensors, and greatly improved reliability and life.

## Battery life comparison

\*Under the same working environment



## Travel speed (km/h)



The high-power traveling motor is adopted to realize strong climbing ability, fast response speed and smooth start.



The noise can be as low as 70dBA.

# SAFE AND RELIABLE.

- The standard configuration provides a fork descending buffering function. In addition, an optional electronic control function for buffering the fork's ascending is provided to protect the goods from falling and damaging the ground.
- The handbrake can be optionally equipped with an alarm buzzer to prompt the driver to pull up the handbrake before leaving the truck.
- Optional electric handbrake configured is provided with automatic parking and ramp holding function.



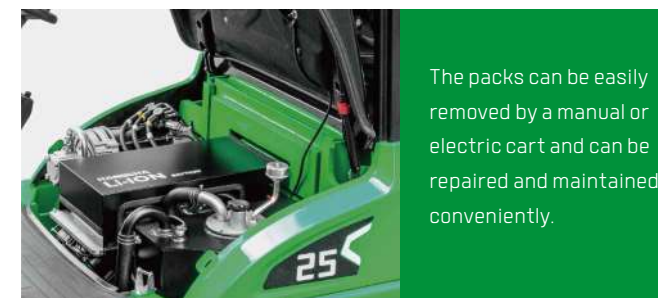
The optional descending lock function can disable the descending function when the driver leaves the seat and enable high safety.



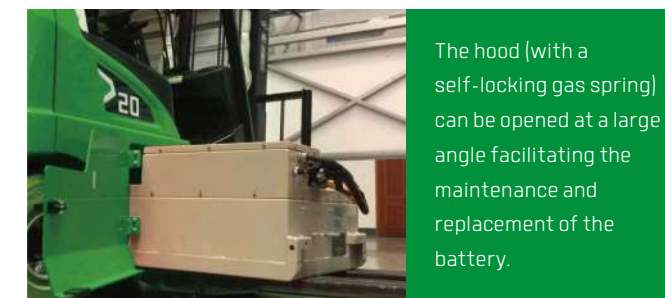
Three horn buttons are provided, which are respectively on the driver's steering wheel, thumb switch equipped armrest (optional) and reverse armrest (optional), for alerting and protecting the surrounding people.

## EASY OPERATIONS AND REPAIR

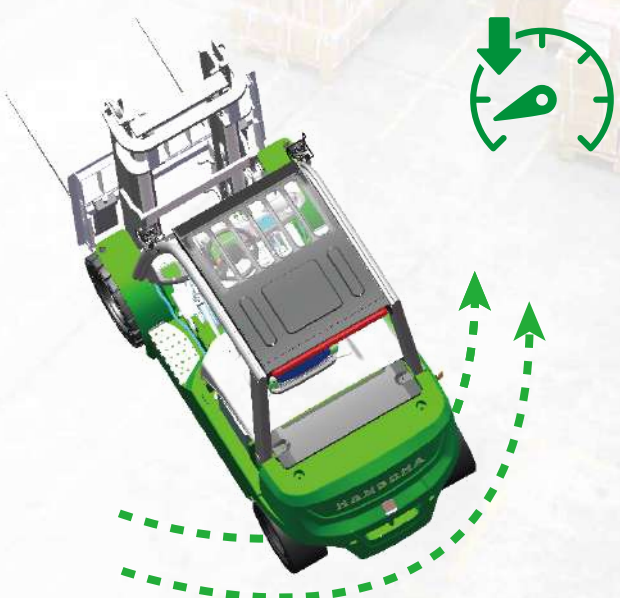
- With the fully sealed hood and side plates, all major components including the electrically controlled components, motor, electrical components, etc. are sealed from dust and water.
- The drive motor of a high protection level is dustproof and waterproof and highly reliable.
- The water resistance level of the truck is IPX4.



The packs can be easily removed by a manual or electric cart and can be repaired and maintained conveniently.



The hood (with a self-locking gas spring) can be opened at a large angle facilitating the maintenance and replacement of the battery.



The rear axle is provided with a flexible suspension system (with turning and deceleration functions for standard configuration) to effectively filter the road clutter, and with the high-level connection to greatly improve the driver's comfort.

The EPB (Electric Parking Brake) (optional) and steering wheel adaptive steer control (optional) greatly improve the comfort.



## KEEP AN EYE ON EVERYTHING

Hangcha FIMS is a system that provides you with real-time information about forklift truck and driver. Whether you have dozens or hundreds of forklift trucks across multiple sites, you can get access to collecting, monitoring and evaluating all the fleet data at anytime and anywhere.

## »» Features

- ▶ Access Control
- ▶ GPS Tracking
- ▶ Remote Monitoring
- ▶ Maintenance Reminder
- ▶ Vehicle Management
- ▶ Vibration Monitoring
- ▶ Pre-shift Check (Optional)
- ▶ Shift Management (Optional)
- ▶ OpenAPI (Optional)



# LITHIUM POWERED

EMPOWER YOURSELF  
WITH THE BEST



Li  
Lithium

POWER THE POSSIBILITIES  
RELIABLE LITHIUM-ION TECHNOLOGY



## LITHIUM BATTERY ADVANTAGES



### Long service life

4000 full charging cycles with at least 80% residual capacity.



### Return on investment

Add flexibility to your operation, cost-saving in the long term, increased efficiencies.



### Maintenance free

No topping up of water or checking acid levels.



### High energy density

The high energy density of the Li-Ion battery ensures long working times and increases the high availability.



### Cold area application

Li-Ion batteries maintain high performance at temperatures below freezing.



### High safety and reliability

Intelligent battery management monitoring every important function, no emission of battery gasses.



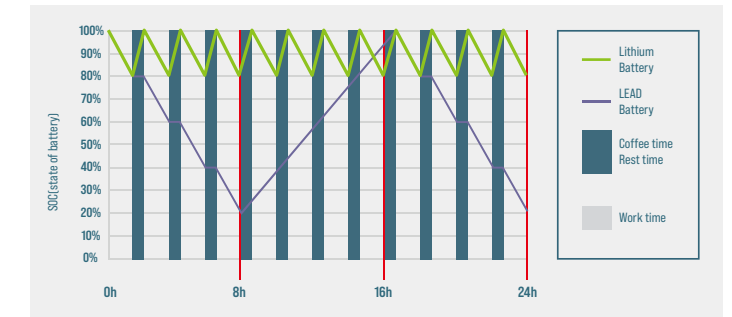
### Opportunity charging

Full performance during several shifts thanks to effective interim charging.

## FEATURES & BENEFITS THE HANGCHA DIFFERENCE

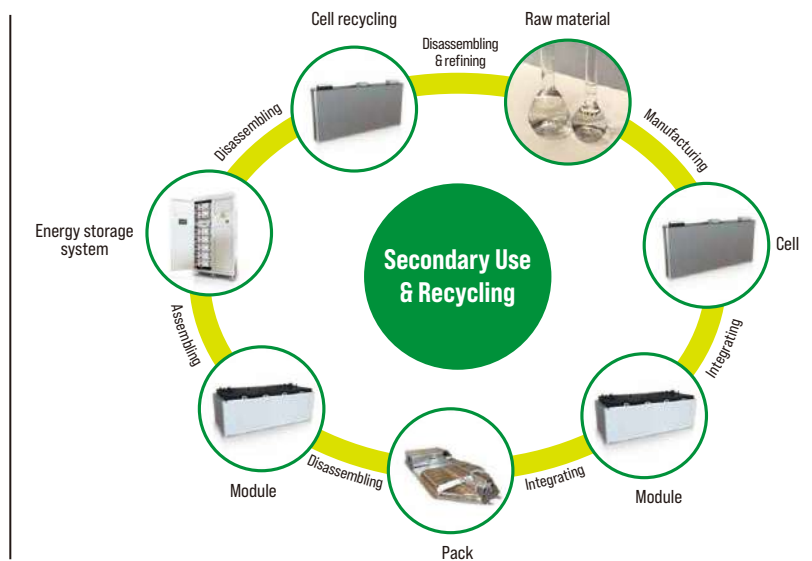
### Efficiency

By quick opportunity charging any downtime, such as a lunch break, can be efficiently used and the battery is recharged in a very short period of time. Interim charging does not affect the battery service life.



### Safety

- / Intelligent battery management monitoring every important function.
- / Higher user safety, thanks to acid-free use.
- / User friendly due to avoided battery change.
- / No emission of battery gasses.



#### QUESTION 1

**Q: What are the characteristics of lithium batteries, especially when used in high and low temperature environments?**

Charging temperature: 0 C - 65 C  
Discharge temperature: -30 C - 65 C  
Storage environment temperature: -30 C - 60 C

After the truck key switch is closed, the instrument battery condition needs to be checked:

1. Confirm that there is no battery system alarm message on the instrument panel.
2. Please check the remaining power before use. It is recommended to use the SOC between 50% and 100%.
3. If the SOC is lower than 20%, it is not recommended to continue using it. Please charge it as soon as possible.

#### QUESTION 2

**Q: What is the charging time and usage time calculation of forklift lithium battery?**

1. Available power of lithium battery (kWh) = rated voltage \* rated power \* 90% (To avoid over-discharge damaging the battery, the forklift is equipped with low power protection [less than 10%]).
  2. Charging time (h) = rated capacity of lithium battery (Ah) \* 90% \* charger output current (A).
  3. The power consumed for charging (kWh) = the available power of the lithium battery \* 93% (the charging efficiency of the charger is calculated as 93%).
  4. Usage time (h) = available power of lithium battery \* energy consumption data.
- For specific energy consumption values, please refer to the technical table on the sharing platform.**

#### QUESTION 3

**Q: How does Hangcha BMS work to ensure the safety of the lithium battery?**

HANGCHA BMS (battery management system) can monitors the cells at all time. As a result, hangcha lithium power is the reliable solution.



#### Battery Safety Management:

- Overcharge/over discharge protection
- Overcurrent/over-temperature/low-temperature protection
- Multi-level fault diagnosis protection
- Double fault monitoring



#### Battery Parameter Detection:

- Battery voltage detection and analysis
- Battery current detection and analysis
- Battery temperature detection and analysis



#### Equilibrium Management:

- Equalization based on voltage mode
- Equalization based on time mode
- Equalization based on battery cell SOC
- Active/passive equalization optional



#### Other Features:

- Low cost, low power consumption
- Historical data record
- Flexible cascade expansion
- CRC data validation

# LI-ION BATTERIES AND CHARGERS

## IT'S FASTER AND EASIER WITH HANGCHA

Innovative, reliable lithium-ion technology (Lithium Iron-Phosphate), which are developed jointly by HANGCHA and CATL. Battery cells and modules are from CATL, with reliable quality, exclusively for HANGCHA.



Integrated Battery Management System (BMS) continually monitors energy management and ensures reliable operation. HANGCHA provides Li-Ion battery (LiFePO4) with **6 years** or **12000 hours** warranty.

## HANGCHA WARRANTY SERVICE

**6 YEARS WARRANTY**

Charger model:

**SLC-80100**  
**SLC-80200**

**Output voltage range (V):**

80V charger: 40Vdc - 100Vdc

**Output current range (A):**

100A charger: 5A - 100A(SLC-80100)

200A charger: 5A - 200A(SLC-80200)

### Battery Parameters

|                    | Nominal Voltage[V] | Nominal Capacity[Ah] | Battery Weight[kg] | Operating Temperature-Discharge(°C) | Operating Temperature-Charge(°C) | Protection Class |
|--------------------|--------------------|----------------------|--------------------|-------------------------------------|----------------------------------|------------------|
| XIPD151-730000-800 | 80V                | 304Ah                | 210kg              | -30 C -65 C                         | 0 C -60 C                        | IP67             |
| XIPD151-730000-810 | 80V                | 230Ah                | 230kg              | -30 C -65 C                         | 0 C -60 C                        | IP67             |
| XIPD253-730000-800 | 80V                | 304Ah                | 225kg              | -30 C -65 C                         | 0 C -60 C                        | IP67             |
| XIPD253-730000-810 | 80V                | 304Ah                | 300kg              | -30 C -65 C                         | 0 C -60 C                        | IP67             |
| XIPD252-730000-510 | 80V                | 410Ah                | 300kg              | -30 C -65 C                         | 0 C -60 C                        | IP67             |
| XIPD253-730000-830 | 80V                | 280Ah                | 225kg              | -30 C -65 C                         | 0 C -60 C                        | IP67             |
| XIPD352-730000-800 | 80V                | 460Ah                | 300kg              | -30 C -65 C                         | 0 C -60 C                        | IP67             |
| XIPD352-730000-810 | 80V                | 560Ah                | 385kg              | -30 C -65 C                         | 0 C -60 C                        | IP67             |
| XIPD352-730000-830 | 80V                | 410Ah                | 300kg              | -30 C -65 C                         | 0 C -60 C                        | IP67             |

### EVE Battery Capacity (Opt.)

| Capacity[Ah] | XC-pro Standard |        |        |      | XC-pro High performance |        |
|--------------|-----------------|--------|--------|------|-------------------------|--------|
|              | 1.5-mini2.0t    | 2-2.5t | 3-3.5t | 3.8t | 2-2.5t                  | 3-3.5t |
| 150          | o               | /      | /      | /    | /                       | /      |
| 230          | o               | o      | /      | /    | /                       | /      |
| 280          | o               | o      | /      | /    | /                       | /      |
| 304          | o               | o      | o      | /    | o                       | /      |
| 460          | /               | o      | o      | o    | o                       | o      |
| 560          | /               | /      | o      | o    | /                       | o      |
| 608          | /               | /      | o      | o    | /                       | o      |

Note: ● Standard ; o Optional

### CATL Battery Capacity (Std.)

| Capacity[Ah] | XC-pro Standard |        |        |      | XC-pro High performance |        |
|--------------|-----------------|--------|--------|------|-------------------------|--------|
|              | 1.5-mini2.0t    | 2-2.5t | 3-3.5t | 3.8t | 2-2.5t                  | 3-3.5t |
| 173          | ●               | /      | /      | /    | /                       | /      |
| 228          | o               | ●      | /      | /    | /                       | /      |
| 302          | o               | o      | ●      | /    | ●                       | /      |
| 456          | /               | o      | o      | ●    | o                       | ●      |
| 604          | /               | /      | o      | o    | /                       | o      |

Note: ● Standard ; o Optional



# FAST STRONG SMART

# Pro



## 1.5t Mast Specification

| Type                              | Model     | Max. fork height | Overall height |                  |               | Free lift height |               | Tilt range<br>FWD/RWD<br>[°] | Capacity               |             |
|-----------------------------------|-----------|------------------|----------------|------------------|---------------|------------------|---------------|------------------------------|------------------------|-------------|
|                                   |           |                  | Lowered        | Extended         |               | Without backrest | With backrest |                              | Load Capacity at 500mm |             |
|                                   |           |                  |                | Without backrest | With backrest |                  |               |                              | Single Tire            | Double tire |
|                                   |           |                  |                |                  |               |                  |               |                              | 1.5t                   | 1.5t        |
| mm                                | mm        | mm               | mm             | mm               | mm            | kg               | kg            |                              |                        |             |
| Wide view<br>Duplex mast          | XCP15M270 | 2700             | 1845           | 3263             | 3655          | 135              | 135           | 6/12                         | 1500                   | 1500        |
|                                   | XCP15M300 | 3000             | 1995           | 3563             | 3955          | 135              | 135           | 6/12                         | 1500                   | 1500        |
|                                   | XCP15M330 | 3300             | 2145           | 3863             | 4255          | 135              | 135           | 6/12                         | 1500                   | 1500        |
|                                   | XCP15M350 | 3500             | 2245           | 4063             | 4455          | 135              | 135           | 6/12                         | 1500                   | 1500        |
|                                   | XCP15M370 | 3700             | 2395           | 4263             | 4655          | 135              | 135           | 6/12                         | 1500                   | 1500        |
|                                   | XCP15M400 | 4000             | 2595           | 4563             | 4955          | 135              | 135           | 6/12                         | 1500                   | 1500        |
|                                   | XCP15M450 | 4500             | 2845           | 5063             | 5455          | 135              | 135           | 6/6                          | 1500                   | 1500        |
|                                   | XCP15M500 | 5000             | 3095           | 5563             | 5955          | 135              | 135           | 6/6                          | 1350                   | 1400        |
| Free duplex<br>wide-view<br>mast  | XCP15U270 | 2700             | 1845           | 3274             | 3645          | 1271             | 900           | 6/12                         | 1500                   | 1500        |
|                                   | XCP15U300 | 3000             | 1995           | 3574             | 3945          | 1421             | 1050          | 6/12                         | 1500                   | 1500        |
|                                   | XCP15U330 | 3300             | 2145           | 3874             | 4245          | 1571             | 1200          | 6/12                         | 1500                   | 1500        |
|                                   | XCP15U350 | 3500             | 2245           | 4074             | 4445          | 1671             | 1300          | 6/12                         | 1500                   | 1500        |
|                                   | XCP15U370 | 3700             | 2345           | 4274             | 4645          | 1771             | 1400          | 6/12                         | 1500                   | 1500        |
|                                   | XCP15U400 | 4000             | 2545           | 4574             | 4945          | 1971             | 1600          | 6/12                         | 1500                   | 1500        |
|                                   | XCP15N400 | 4000             | 1945           | 4584             | 4955          | 1371             | 1000          | 6/6                          | 1500                   | 1500        |
|                                   | XCP15N430 | 4300             | 2045           | 4884             | 5255          | 1471             | 1100          | 6/6                          | 1500                   | 1500        |
| Free triplex<br>wide-view<br>mast | XCP15N450 | 4500             | 2095           | 5084             | 5455          | 1521             | 1150          | 6/6                          | 1500                   | 1500        |
|                                   | XCP15N470 | 4700             | 2195           | 5284             | 5655          | 1621             | 1250          | 6/6                          | 1400                   | 1500        |
|                                   | XCP15N480 | 4800             | 2195           | 5384             | 5755          | 1621             | 1250          | 6/6                          | 1400                   | 1500        |
|                                   | XCP15N500 | 5000             | 2295           | 5584             | 5955          | 1721             | 1350          | 6/6                          | 1400                   | 1450        |
|                                   | XCP15N550 | 5500             | 2445           | 6084             | 6455          | 1871             | 1500          | 3/6                          | 1250                   | 1350        |
|                                   | XCP15N600 | 6000             | 2645           | 6584             | 6955          | 2071             | 1700          | 3/6                          | 1100                   | 1150        |
|                                   | XCP15N650 | 6500             | 2845           | 7084             | 7455          | 2271             | 1900          | 3/6                          | /                      | 900         |

With sideshifter minus 100kg, with integrated sideshifter minus 150kg.

## 1.8t Mast Specification

| Type                              | Model     | Max. fork height | Overall height |                  |               | Free lift height |               | Tilt range<br>FWD/RWD<br>[°] | Capacity               |             |
|-----------------------------------|-----------|------------------|----------------|------------------|---------------|------------------|---------------|------------------------------|------------------------|-------------|
|                                   |           |                  | Lowered        | Extended         |               | Without backrest | With backrest |                              | Load Capacity at 500mm |             |
|                                   |           |                  |                | Without backrest | With backrest |                  |               |                              | Single Tire            | Double tire |
|                                   |           |                  |                |                  |               |                  |               |                              | 1.8t                   | 1.8t        |
| mm                                | mm        | mm               | mm             | mm               | mm            | kg               | kg            |                              |                        |             |
| Wide view<br>Duplex mast          | XCP18M270 | 2700             | 1845           | 3263             | 3655          | 135              | 135           | 6/12                         | 1800                   | 1800        |
|                                   | XCP18M300 | 3000             | 1995           | 3563             | 3955          | 135              | 135           | 6/12                         | 1800                   | 1800        |
|                                   | XCP18M330 | 3300             | 2145           | 3863             | 4255          | 135              | 135           | 6/12                         | 1800                   | 1800        |
|                                   | XCP18M350 | 3500             | 2245           | 4063             | 4455          | 135              | 135           | 6/12                         | 1800                   | 1800        |
|                                   | XCP18M370 | 3700             | 2395           | 4263             | 4655          | 135              | 135           | 6/12                         | 1800                   | 1800        |
|                                   | XCP18M400 | 4000             | 2595           | 4563             | 4955          | 135              | 135           | 6/12                         | 1800                   | 1800        |
|                                   | XCP18M450 | 4500             | 2845           | 5063             | 5455          | 135              | 135           | 6/6                          | 1650                   | 1700        |
|                                   | XCP18M500 | 5000             | 3095           | 5563             | 5955          | 135              | 135           | 6/6                          | 1550                   | 1600        |
| Free duplex<br>wide-view<br>mast  | XCP18U270 | 2700             | 1845           | 3384             | 3645          | 1161             | 900           | 6/12                         | 1800                   | 1800        |
|                                   | XCP18U300 | 3000             | 1995           | 3684             | 3945          | 1311             | 1050          | 6/12                         | 1800                   | 1800        |
|                                   | XCP18U330 | 3300             | 2145           | 3984             | 4245          | 1461             | 1200          | 6/12                         | 1800                   | 1800        |
|                                   | XCP18U350 | 3500             | 2245           | 4184             | 4445          | 1561             | 1300          | 6/12                         | 1800                   | 1800        |
|                                   | XCP18U370 | 3700             | 2345           | 4384             | 4645          | 1661             | 1400          | 6/12                         | 1800                   | 1800        |
|                                   | XCP18U400 | 4000             | 2545           | 4684             | 4945          | 1861             | 1600          | 6/12                         | 1800                   | 1800        |
|                                   | XCP18N400 | 4000             | 1945           | 4694             | 4955          | 1261             | 1000          | 6/6                          | 1800                   | 1800        |
|                                   | XCP18N430 | 4300             | 2045           | 4994             | 5255          | 1361             | 1100          | 6/6                          | 1650                   | 1800        |
| Free triplex<br>wide-view<br>mast | XCP18N450 | 4500             | 2095           | 5194             | 5455          | 1411             | 1150          | 6/6                          | 1650                   | 1750        |
|                                   | XCP18N470 | 4700             | 2195           | 5394             | 5655          | 1511             | 1250          | 6/6                          | 1600                   | 1650        |
|                                   | XCP18N480 | 4800             | 2195           | 5494             | 5755          | 1511             | 1250          | 6/6                          | 1600                   | 1650        |
|                                   | XCP18N500 | 5000             | 2295           | 5694             | 5955          | 1611             | 1350          | 6/6                          | 1550                   | 1600        |
|                                   | XCP18N550 | 5500             | 2445           | 6194             | 6455          | 1761             | 1500          | 3/6                          | 1500                   | 1550        |
|                                   | XCP18N600 | 6000             | 2645           | 6694             | 6955          | 1961             | 1700          | 3/6                          | 1300                   | 1400        |
|                                   | XCP18N650 | 6500             | 2845           | 7194             | 7455          | 2161             | 1900          | 3/6                          | /                      | 1150        |

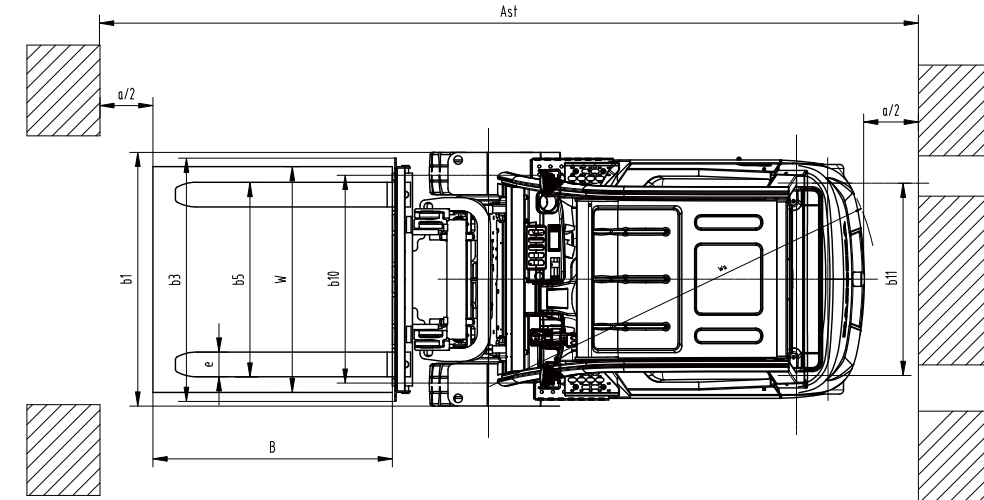
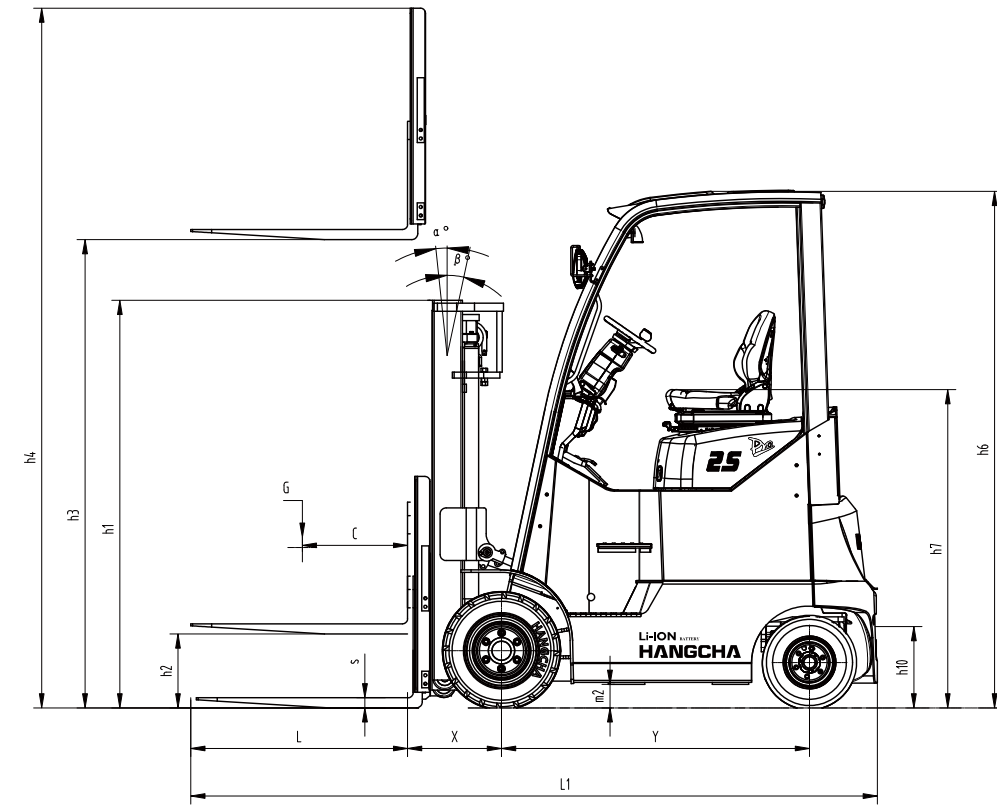
With sideshifter minus 100kg, with integrated sideshifter minus 150kg.



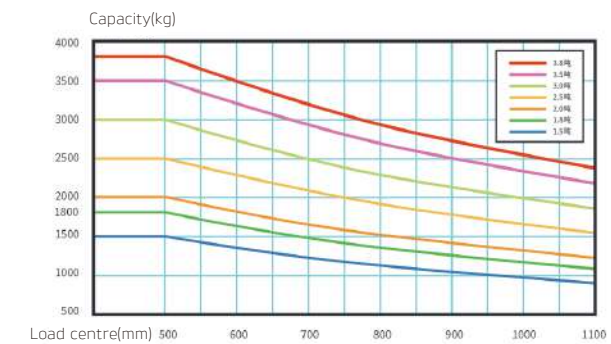


# Technical data(with high vision)

| Distinguishing mark | HANGCHA GROUP CO.,LTD.  |                          |                 |                 |                 |                 |                 |
|---------------------|---|--------------------------|-----------------|-----------------|-----------------|-----------------|-----------------|
|                     | 1.1   | Manufacturer             |                 | CPD20-XCY2-SIGW | CPD25-XCY2-SIGW | CPD30-XCY2-SIGW | CPD35-XCY2-SIGW |
| 1.2                 | Manufacturer's type designation                                 |                          | CPD20-XCY2-SIGW | CPD25-XCY2-SIGW | CPD30-XCY2-SIGW | CPD35-XCY2-SIGW | CPD35-XCY2-SIGW |
| 1.3                 | Drive: electric (battery or mains), diesel, petrol, fuel gas    |                          | Electric        | Electric        | Electric        | Electric        | Electric        |
| 1.4                 | Operator type: hand, pedestrian, standing, seated, order-picker |                          | Seated          | Seated          | Seated          | Seated          | Seated          |
| 1.5                 | Rated capacity /rated load                                      | Q (kg)                   | 2000            | 2500            | 3000            | 3500            | 3500            |
| 1.6                 | Load centre distance  | c (mm)                   | 500             | 500             | 500             | 500             | 500             |
| 1.8                 | Load distance, centre of drive axle to fork                     | x (mm)                   | 431             | 431             | 463             | 478             | 478             |
| 1.9                 | Wheelbase   | y (mm)                   | 1520            | 1520            | 1650            | 1650            | 1650            |
| 2.1                 | Service Weight  | kg                       | 3580            | 3920            | 4620            | 5100            | 5100            |
| 2.2                 | Axle loading, laden front/rear                                  | kg                       | 4900/680        | 5690/730        | 6660/923        | 7575/950        | 7575/950        |
| 2.3                 | Axle loading, unladen front/rear                                | kg                       | 1660/1920       | 1635/2285       | 1914/2670       | 2010/3020       | 2010/3020       |
| 3.1                 | Tyres: solid rubber, superelastic, pneumatic, polyurethane      |                          | pneumatic       | pneumatic       | pneumatic       | solid rubber    | solid rubber    |
| 3.2                 | Tyre size, front  |                          | 23-9-10-18PR    | 23-9-10-18PR    | 23-10-12-18PR   | 23-10-12        | 23-10-12        |
| 3.3                 | Tyre size, rear   |                          | 18.7-8-14PR     | 18.7-8-14PR     | 18.7-8-16PR     | 200/50          | 200/50          |
| 3.5                 | Wheels, number front / rear (x = driven wheels)                 |                          | 2x/2            | 2x/2            | 2x/2            | 2x/2            | 2x/2            |
| 3.6                 | Tread, front  | b10 (mm)                 | 1046            | 1046            | 1044            | 1044            | 1044            |
| 3.7                 | Tread, rear   | b11 (mm)                 | 960             | 960             | 960             | 950             | 950             |
| 4.1                 | Tilt of mast/fork carriage forward/backward                     | $\alpha/\beta(^{\circ})$ | 6/12            | 6/12            | 6/12            | 6/12            | 6/12            |
| 4.2                 | Height, mast lowered  | h1 (mm)                  | 2000            | 2000            | 2007            | 2157            | 2157            |
| 4.3                 | Free lift   | h2 (mm)                  | 140             | 140             | 145             | 150             | 150             |
| 4.4                 | Lift  | h3 (mm)                  | 3000            | 3000            | 3000            | 3000            | 3000            |
| 4.5                 | Height, mast extended   | h4 (mm)                  | 4046            | 4046            | 4142            | 4142            | 4142            |
| 4.7                 | Height of overhead guard (cabin)                                | h6 (mm)                  | 2550            | 2550            | 2550            | 2550            | 2550            |
| 4.8                 | Seat height/stand height  | h7 (mm)                  | 1555            | 1555            | 1605            | 1605            | 1605            |
| 4.12                | Coupling height   | h10 (mm)                 | 400             | 400             | 390             | 390             | 390             |
| 4.19                | Overall length  | l1 (mm)                  | 3376            | 3376            | 3553            | 3568            | 3568            |
| 4.20                | Length to face of forks   | l2 (mm)                  | 2306            | 2306            | 2483            | 2498            | 2498            |
| 4.21                | Overall width   | b1 (mm)                  | 1271            | 1271            | 1298            | 1298            | 1298            |
| 4.22                | Fork dimensions   | s/e/l(mm)                | 40/122/1070     | 40/122/1070     | 45/122/1070     | 50/122/1070     | 50/122/1070     |
| 4.23                | Fork carriage DIN 15 173 --- ISO 2328, class/type A,B           |                          | ISO2328 2A      | ISO2328 2A      | ISO2328 3A      | ISO2328 3A      | ISO2328 3A      |
| 4.24                | Fork-carriage width   | b3 (mm)                  | 1038            | 1038            | 1038            | 1100            | 1100            |
| 4.25                | Distance between fork-arms                                      | b5 (mm)                  | 776             | 776             | 838             | 838             | 838             |
| 4.31                | Ground clearance, laden, below mast                             | m1 (mm)                  | 120             | 120             | 127             | 127             | 127             |
| 4.32                | Ground clearance, centre of wheelbase                           | m2 (mm)                  | 125             | 125             | 125             | 125             | 125             |
| 4.34.1              | Aisle width for pallets 1000 x 1200 crossways                   | Ast (mm)                 | 3786            | 3786            | 3848            | 3863            | 3863            |
| 4.34.2              | Aisle width for pallets 800 x 1200 lengthways                   | Ast (mm)                 | 3914            | 3914            | 4048            | 4063            | 4063            |
| 4.35                | Turning radius  | Wa (mm)                  | 2035            | 2035            | 2185            | 2185            | 2185            |
| 5.1                 | Travel speed, laden/unladen                                     | km/h                     | 16/17           | 16/17           | 16/17           | 16/17           | 16/17           |
| 5.2                 | Lift speed, laden/unladen                                       | m/s                      | 0.35/0.46       | 0.35/0.46       | 0.35/0.46       | 0.35/0.46       | 0.35/0.46       |
| 5.3                 | Lowering speed, laden/unladen                                   | m/s                      | 0.51/0.54       | 0.51/0.54       | 0.50/0.53       | 0.50/0.53       | 0.50/0.53       |
| 5.6                 | Max. Drawbar pull, laden/unladen                                | N                        | 12000/11000     | 12000/11000     | 13000/12000     | 13000/12000     | 13000/12000     |
| 5.8                 | Max. gradeability, laden/unladen                                | %                        | 15/25           | 15/25           | 15/25           | 15/25           | 15/25           |
| 5.9                 | Acceleration time, laden/unladen (0-10m)                        | s                        | 5.1/5.0         | 5.1/5.0         | 5.9/5.4         | 5.9/5.4         | 5.9/5.4         |
| 5.10                | Service brake   |                          | HYdraulic       | HYdraulic       | HYdraulic       | HYdraulic       | HYdraulic       |
| 5.11                | Parking brake   |                          | Mechanical      | Mechanical      | Mechanical      | Mechanical      | Mechanical      |
| 6.1                 | Drive motor rating S2 60 min                                    | KW                       | 17              | 17              | 17              | 17              | 17              |
| 6.2                 | Lift motor rating at S3 15%                                     | KW                       | 23              | 23              | 23              | 23              | 23              |
| 6.3                 | Battery acc. to DIN 43531/35/36 A,B,C, no                       |                          | no              | no              | no              | no              | no              |
| 6.4                 | Battery voltage, nominal capacity K5                            | V / Ah                   | 80/228          | 80/228          | 80/302          | 80/302          | 80/302          |
| 6.5                 | Battery weight  | kg                       | ±180            | ±180            | ±220            | ±220            | ±220            |
| 10.1                | Operating pressure for attachments                              | bar                      | ±160            | ±160            | ±160            | ±160            | ±160            |
| 10.2                | Oil volume for attachments                                      | L / min                  | 25              | 25              | 25              | 25              | 25              |
| 10.3                | Hydraulic Tank - capacity (drain & refill)                      | L                        | 31              | 31              | 31              | 31              | 31              |
| 10.7                | Sound pressure level at the driver's seat                       | dB (A)                   | ≤70             | ≤70             | ≤70             | ≤70             | ≤70             |



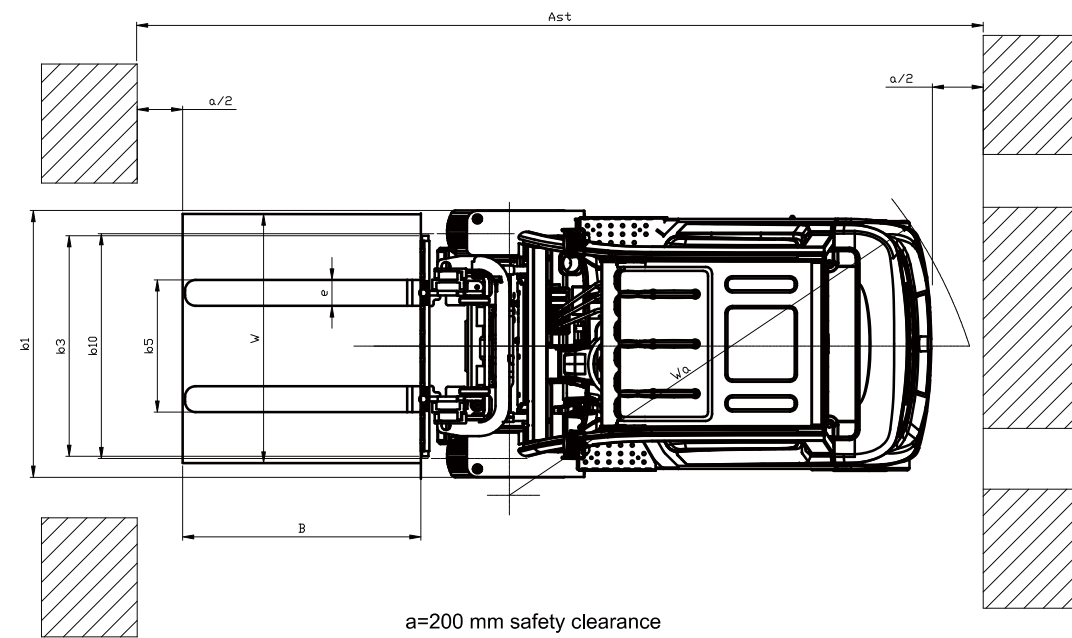
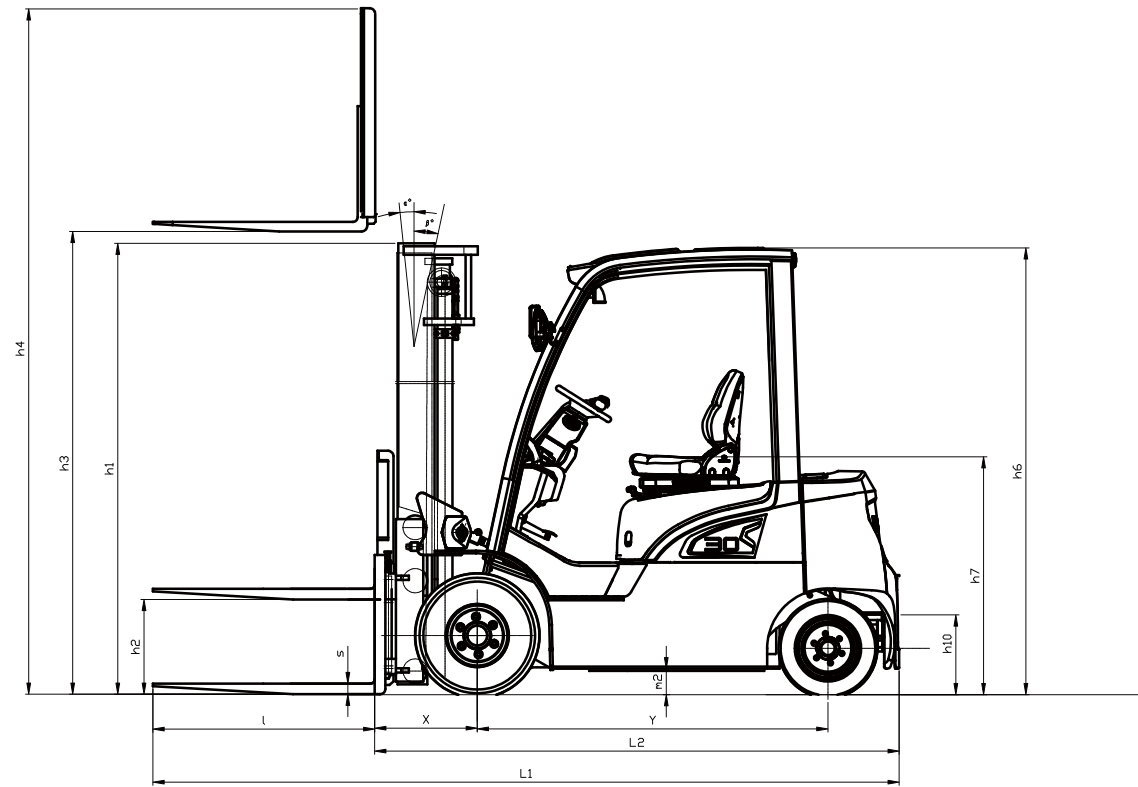
a=200 mm safety clearance  
AST=a+Wa+X+B



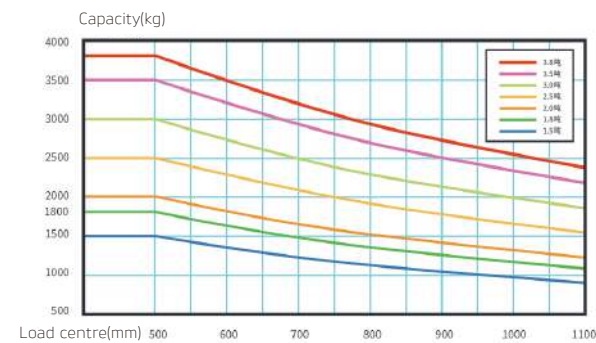








a=200 mm safety clearance  
 $AST=a+Wa+ X+B$



## Features

| No. | Configuration                | Standard   | Options   |
|-----|------------------------------|--|---|
| 1   | Color                        | Dark green   | Other customized color  |
| 2   | Particular market            | /  | CE Standard   |
| 3   | Cold storage environment     | /  | -30°C   |
| 4   | Mast                         | Standard duplex mast   | Configuration Table of the Mast   |
| 5   | Fork and attachment          | Standard fork<br>Fork arm carrier<br>Load backrest   | Non-standard series fork<br>Various attachments   |
| 6   | Tires                        | Pneumatic tire (single)  | Pneumatic tire (dual)<br>Solid tire (single)<br>Solid tire (dual)   |
| 7   | Multiway valve               | Double multi-way valve   | Triple valve<br>Quadruple valve<br>Quintuple valve  |
| 8   | Tiller                       | Lifting and tilting Level  | Thumb switch Handle<br>Rocker switch and armrest  |
| 9   | Battery                      | Standard lithium battery   | Large-capacity lithium battery<br>Quick-change lithium battery  |
| 10  | Light                        | LED head lamp<br>Turn signal lamp<br>LED rear combination lamp   | Common alarm lamp<br>Acoustic and optical alarm lamp<br>LED rear lamp<br>Blue light<br>Straight projection lamp |
| 11  | Horn                         | Electric horn<br>Reverse buzzer  | Right rear armrest with horn button   |
| 12  | Smart module                 | /  | FIMS(Fleet intelligent management system)   |
| 13  | Safety configuration         | Emergency power-off switch<br>Fuse box<br>Soft landing   | Reversing radar<br>OPS system<br>Fire extinguisher<br>Ascending buffering                                       |
| 14  | Parking brake                | Mechanical handbrake   | EPB(Electric Parking Brake)   |
| 15  | Driving brake                | Hydraulic assisted braking   | /   |
| 16  | Instrument rack space        | Smart color-screen instrument<br>(speed mode selection)<br>Combination switch  | Cigarette lighter<br>USB port<br>Electronic code lock (start by swiping a card)                                 |
| 17  | Driving space                | Standard overhead guard<br>Central rear view mirror<br>PVC ceiling   | Front windshield<br>Cab<br>Electric fan<br>Left and right rear view mirrors                                     |
| 18  | Seat                         | Standard seat  | Fully-suspended seat<br>Semi-suspended seat   |
| 19  | Other standard configuration | Oil pump reducer<br>Silent gear pump<br>DC-DC converter<br>Pedal pad<br>Traction pin<br>Integral stamped side panel and hood | /   |