



ZHEJIANG HANGCHA IMP. & EXP. CO., LTD.

Factory site: 666 Xiangfu Road,  
Hangzhou, Zhejiang, China (311305)

Tel: +86-571-88926735 88926755  
Fax: +86-571-88926789 88132890

sales@hcforklift.com  
www.hcforklift.com



Follow us on  
Facebook



Follow us on  
YouTube



Follow us on  
WeChat



Download "Hangcha  
Forklift" App



ISO14001  
ISO14001:2015



ISO9001  
ISO9001:2015



HANGCHA trucks conform  
to the European Safety  
Requirements.

2021 VERSION 3/COPYRIGHT 2021/11

HANGCHA GROUP CO., LTD. reserves the right to make any changes without notice concerning colors, equipment, or specifications detailed in this brochure, or to discontinue individual models. The colors of trucks, delivered may differ slightly from those in brochures.



## A Series Double-column Pallet Stackers Mini Range II

with capacities of 1,200 to 1,500kg

The World of Hangcha  
SINCE 1956



# A Series Double-column Pallet Stackers Mini Range II

The A series 1.2t/1.5t mini stackers is a new generation of products designed by Hangcha for warehousing and logistics applications. Using the latest permanent magnet drive technology and with advanced performance, comfortable, safe and reliable operations and low costs, the products are ideal tools for loading, unloading and handling palletized goods in warehouses, supermarkets, workshops and homes.



## Appearance

- / The new generation of A series double-column pallet stackers mini range II adopts a professional industrial exterior design. The vehicle has a smooth vivid profile, a compact shape and a fully ergonomic design, and follows the latest exterior design trend.
- / With a large number of steel plate stamping and injection molding processes to enable a robust and durable high-grade product that meets environmental protection requirements.

## Comfort

- / With the compact and stylish tiller, all operations can be easily completed with one hand.
- / The optimized design of the body structure provides an excellent operating view and to get in/out the pallet more easily.
- / Thanks to the compact, lightweight and flexible, it can be operated very easily and can pass through narrow aisles.
- / The truck can be operated in narrow space with the upright walking.
- / Gel battery: a maintenance-free battery.
- / The built-in charger is very convenient.

## Safety

- / With the functions of release braking, reverse braking and emergency braking to ensure safe driving.
- / With protection for preventing sliding down a ramp to ensure safe operation.
- / The emergency reverse button on the top of the tiller can effectively prevent the driver from being injured in an emergency occurring.
- / Soft landing system can automatically slow down the lowering speed and effectively protect the goods.

## High performance

- / With high power and a rated load capacity to meet the handling needs of most customers.
- / With a permanent magnet brush/synchronous motor with excellent performance and low heat generation.
- / The truck with regenerative braking provides protection for preventing sliding down a ramp.
- / The A2MJ model uses a permanent magnet brush controller with mature technology, and a motor with good universality and a low cost.
- / The A2MA model uses a permanent magnet synchronous controller with advanced technology, and a maintenance-free brushless motor with excellent performance.
- / The mast is made of special steel, and the outer mast is a welded structure, which reduces the weight of the vehicle and increases the rigidity.



The multi-function tiller is integrated with a code lock, display instruments and all operating buttons

## Reliability

- / The bearing wheel adopts a clamping plate structure, which can adapt to uneven roads and improve the service life of the bearing wheel.
- / With a high-strength steel frame structure, the truck has a large residual load capacity and a long service life.
- / The truck with four-point design provides good road holding ensure high stability and a good view.
- / The whole system uses waterproof connectors, and all wires and cables have reliable protection, which greatly improves the reliability of the electrical system.
- / With a superior low noise and low vibration hydraulic power unit to enable stable and reliable lifting and lowering.
- / The hydraulic unit and the frame are flexibly connected so that the vibration transmitted from the road surface to the hydraulic unit can be absorbed and the reliability of the hydraulic unit is improved greatly.
- / The stamped fork with higher strength and impact resistance, and guided fork prongs, further improve operation efficiency.



## Maintenance

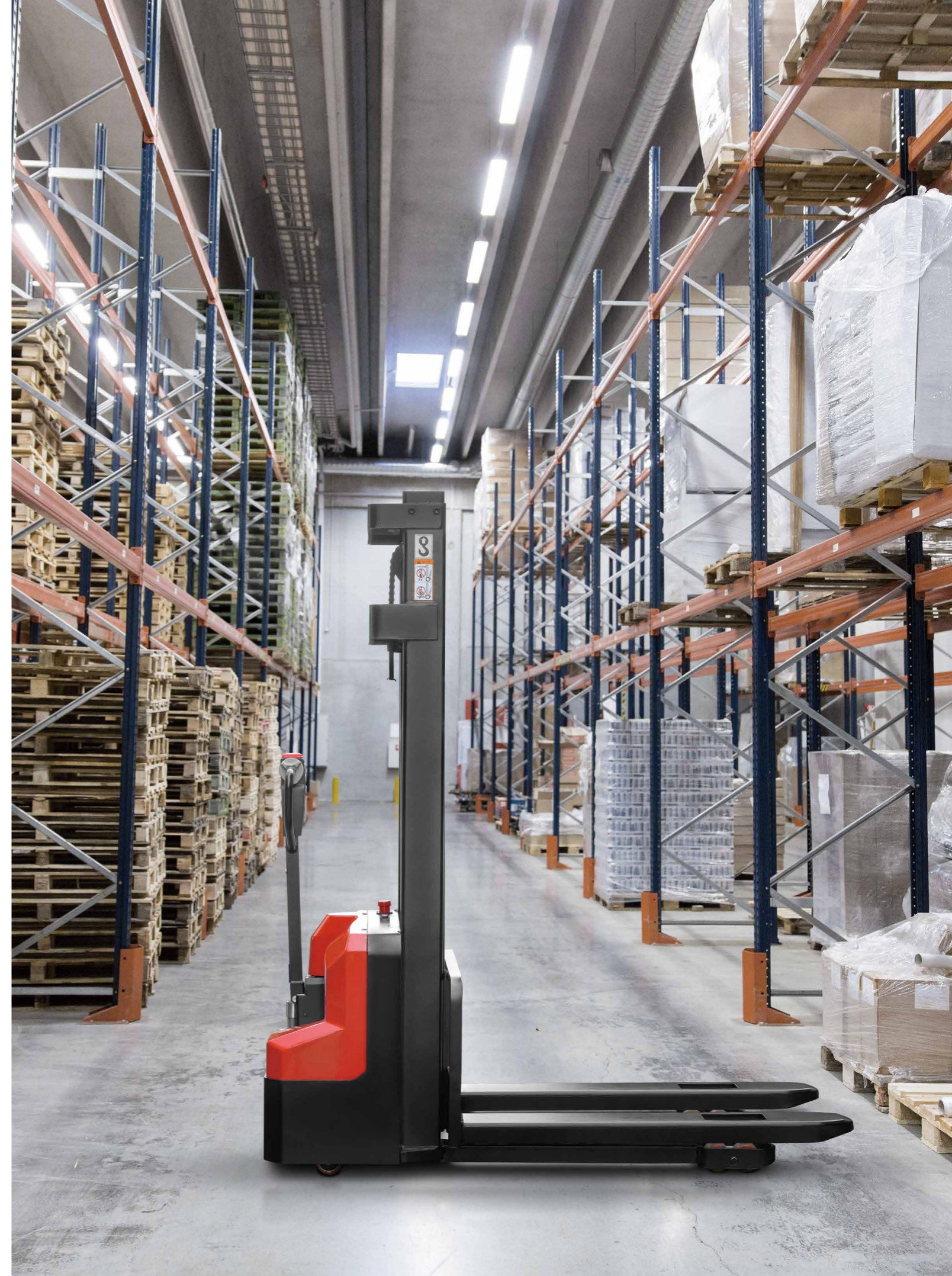
- / The battery indicator can duly prompt the user to charge.
- / With a rear hood that can be completely opened to expose all components and facilitate the maintenance of the truck.

## Standard Specification

- / Permanent magnet brush (A2M) / permanent magnet synchronous (A2MA) motor
- / Permanent magnet brush (A2M) / permanent magnet synchronous (A2MA) controller
- / Hydraulic power unit
- / Emergency power off switch
- / PU wheel
- / Fork length: 1150mm
- / Fork interval: 560mm
- / Multi-function tiller with a code lock and display instruments
- / Horn
- / Built-in charger

## Options

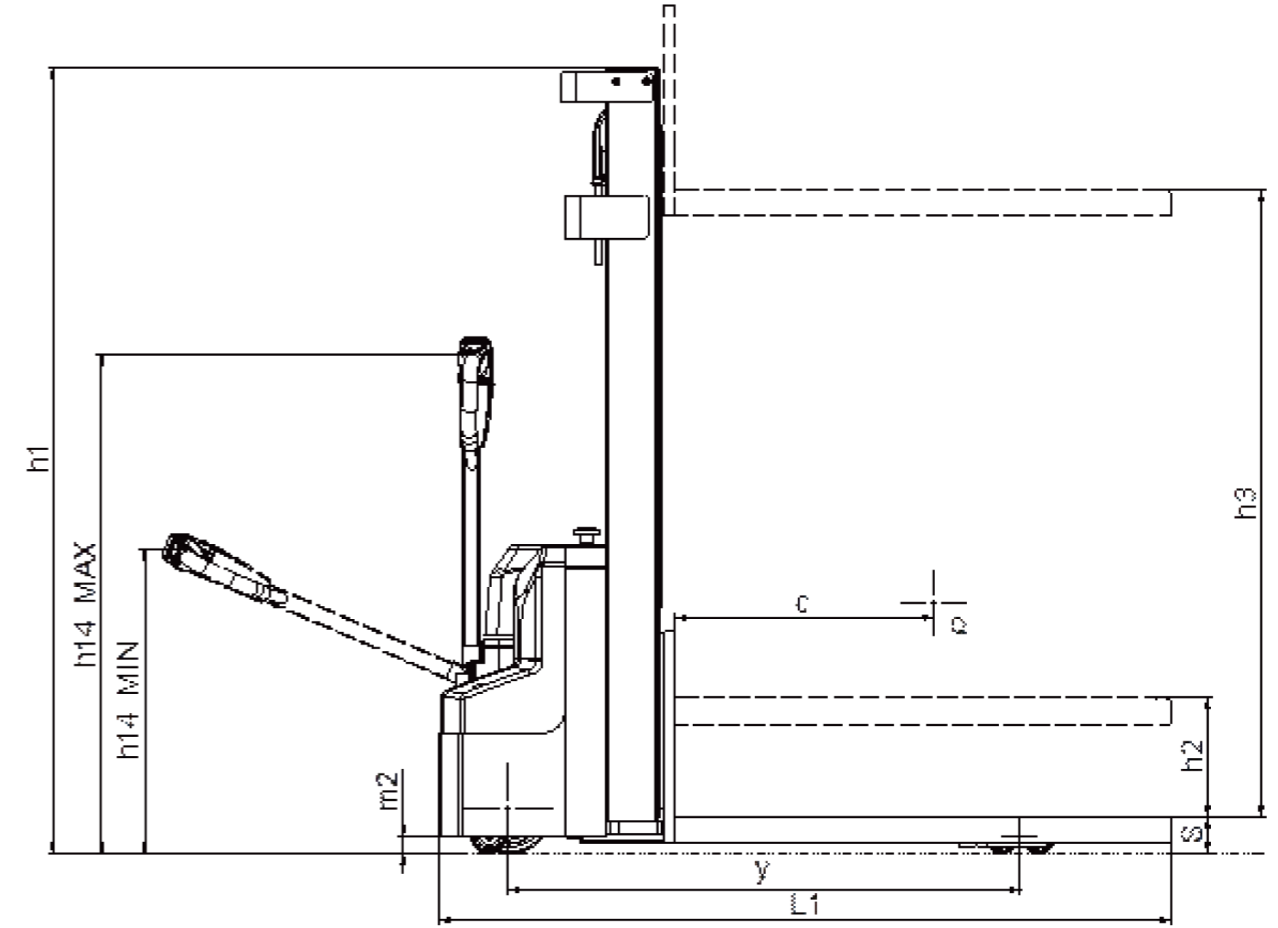
- / Lift height: 2.0-3.6m
- / A full range of optional fork length
- / Distance between fork-arms: 680mm
- / Reflective mirror
- / Key switch
- / Universal key switch
- / Working timing function
- / Charge interlocking
- / Gel battery: 24V/100/125Ah for 1.2t
- / Gel battery: 24V/125Ah for 1.5t



# A Series Double-column Pallet Stackers Mini Range II Specification

Distinguishing mark	1.1	Manufacturer	HANGCHA GROUP CO.,LTD.							
	1.2	Manufacturer's type designation	CDD12-A2MJ-SZ	CDD15-A2MJ-SZ	CDD12-A2MA-SZ	CDD15-A2MA-SZ	CDD12-A2MJ-ISZ	CDD15-A2MJ-ISZ	CDD12-A2MA-ISZ	CDD15-A2MA-ISZ
	1.4	Operator type: hand, pedestrian, standing, seated, order-picker	Pedestrian	Pedestrian	Pedestrian	Pedestrian	Pedestrian	Pedestrian	Pedestrian	Pedestrian
	1.5	Rated capacity/rated load	Q (kg)	1200	1500	1200	1500	1200	1500	1200
	1.6	Load centre distance	c (mm)	600	600	600	600	600	600	600
	1.9	Wheelbase	y (mm)	1188	1198	1188	1198	1188	1198	1188
Weight	2.1	Service Weight(Including battery)	kg	560	630	560	630	/	/	/
		Battery Weight	kg	52	52	52	52	/	/	/
Tyres, chassis	3.1	Tyres: solid rubber, superelastic, pneumatic, polyurethane		PU	PU	PU	PU	PU	PU	PU
	3.2	Tyre size, front		φ210×70	φ210×70	φ210×70	φ210×70	φ210×70	φ210×70	φ210×70
	3.3	Tyre size, rear		φ80×64	φ80×64	φ80×64	φ80×64	φ80×64	φ80×64	φ80×64
	3.4	Additional wheel (dimensions)		φ80×64	φ80×64	φ80×64	φ80×64	φ80×64	φ80×64	φ80×64
	3.5	Wheels, number front / rear (x = driven wheels)		1x+1/4	1x+1/4	1x+1/4	1x+1/4	1x+1/4	1x+1/4	1x+1/4
	3.6	Tread, front	b10 (mm)	566	566	566	566	566	566	566
	3.7	Tread, rear	b11 (mm)	396	396	396	396	396	396	396
Dimensions	4.4	Lift	h3 (mm)	2500	2500	2500	2500	2500	2500	2500
	4.9	Height drawbar in driving position min./max.	h14 (mm)	720/1160	720/1160	720/1160	720/1160	720/1160	720/1160	720/1160
	4.15	Fork height,lowered	h13 (mm)	85	85	85	85	85	85	85
	4.19	Overall length	l1 (mm)	1698	1708	1698	1708	1698	1708	1708
	4.21	Overall width	b1 (mm)	800	800	800	800	800	800	800
	4.22	Fork dimensions	s/e/l (mm)	60/170/1150	60/170/1150	60/170/1150	60/170/1150	60/170/1150	60/170/1150	60/170/1150
	4.25	Distance between fork-arms	bs (mm)	560	560	560	560	560	560	560
	4.32	Ground clearance, centre of wheelbase	m2 (mm)	26	26	26	26	26	26	26
	4.34.1	Aisle width for pallets 1000 x 1200 crossways	Ast (mm)	1942 <sup>1)</sup>	1952 <sup>1)</sup>	1942 <sup>1)</sup>	1952 <sup>1)</sup>	1942 <sup>1)</sup>	1952 <sup>1)</sup>	1942 <sup>1)</sup>
	4.34.2	Aisle width for pallets 800 x 1200 lengthways	Ast (mm)	1994 <sup>2)</sup>	2004 <sup>2)</sup>	1994 <sup>2)</sup>	2004 <sup>2)</sup>	1994 <sup>2)</sup>	2004 <sup>2)</sup>	1994 <sup>2)</sup>
4.35	Turning radius	Wa (mm)	1392	1402	1392	1402	1392	1402	1392	
Performance data	5.1	Travel speed,laden/unladen	km/h	4.2/4.5	4.2/4.5	4.2/4.5	4.2/4.5	4.2/4.5	4.2/4.5	4.2/4.5
	5.2	Lift speed,laden/unladen	m/s	0.110/0.150	0.085/0.110	0.110/0.150	0.085/0.110	0.110/0.150	0.085/0.110	0.110/0.150
	5.3	Lowering speed,laden/unladen	m/s	0.120/0.120	0.110/0.100	0.120/0.120	0.110/0.100	0.120/0.120	0.110/0.100	0.120/0.120
	5.8	Max Gradeability,laden/unladen	%	6/10	6/10	6/10	6/10	6/10	6/10	6/10
Electric Engine	6.1	Drive motor rating S2 60 min	kW	0.65	0.65	0.65	0.65	0.65	0.65	0.65
	6.2	Lift motor rating at S3 15%	kW	2.2	2.2	2.2	2.2	2.2	2.2	2.2
	6.4	Battery voltage,rated capacity	V/Ah	24/85	24/100	24/85	24/100	24/60	24/60	24/60
8.1	Type of drive control		DC	DC	PMSM	PMSM	DC	DC	PMSM	PMSM

Note: 1). VDI 2198: +284mm  
2). VDI 2198: +166mm



## Mast Specification

Mast Type	Max Lifting Height h3	Max.fork height (h3 +h13)	Lowered Height h1	Extended Height h4	Free lift	Load Capacity at 600mm	
						1.2t	1.5t
	mm	mm	mm	mm	mm	kg	kg
Single cylinder duplex mast	2000	2085	1574	2574	0	1200	1500
	2500	2585	1824	3074	0	1200	1200
	2700	2785	1924	3274	0	1000	1000
	3000	3085	2074	3574	0	900	900
	3300	3385	2224	3874	0	750	750
	3600	3685	2458	4258	0	600	600

